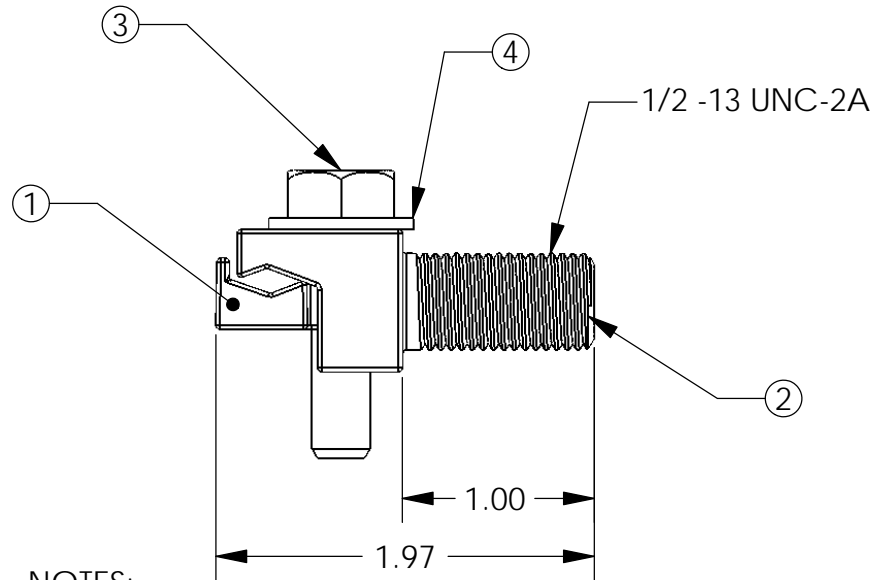
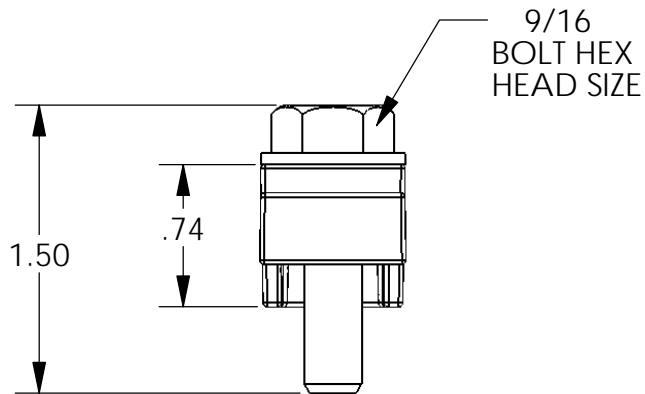
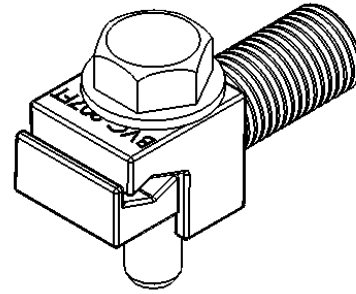
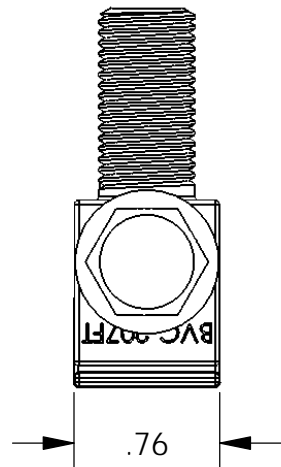


PAPER SIZE		DRAWING NUMBER	
A		GD-BVC-207 FT	
ISS	REVISED BY:	REVISION DATE	ECO #
A	JBB	07/19/2012	10667
B	MG	03/01/2013	10823



**NOTES:**

1. ALL DIMENSIONS ARE REFERENCE AND ARE IN INCHES.

ITEM NO.	QTY.	DESCRIPTION
1	1	BVC-207 JAW (MALE)
2	1	BVC-207 FT BODY (FEMALE)
3	1	5/16 BOLT
4	1	WASHER

This drawing contains confidential information that is the property of MacLean Power, L.L.C. ("MacLean"). Use of MacLean's confidential information without MacLean's express written consent is strictly prohibited and may expose you to legal liability. If you believe that you received this material in error, please destroy it or return it to "MacLean Power, L.L.C., 11411 Addison Street, Franklin Park, Illinois 60131, USA."

UNLESS OTHERWISE SPECIFIED DIMENSIONS ARE IN: <b>INCHES</b>	
TOLERANCES ARE :	
.XXX	----
.XXXX	----
X/XX	----
ANGLES	----



**MACLEAN  
POWER  
SYSTEMS**

11411 ADDISON STREET  
FRANKLIN PARK, IL. 60131

TEL. (847) 455-0014 FAX: (847) 455-0029

DRAWING NUMBER <b>GD-BVC-207 FT</b>		DO NOT SCALE DRAWING	
SHEET NAME: <b>F041793</b>		1 OF 1	
DRAWING DESCRIPTION BVC-207 FT		DESIGN DATE: <b>07/19/12</b>	
DWG SCALE: 1:1		DRAWN BY:	JBB
		ENGINEER	EMG
		APPROVED	EMG